



User Manual

HOB

Before using the appliances ensure that any protective packaging or film is removed..

**CONTACT ONLY IFB AUTHORISED PERSON TO SERVICE YOUR HOB&USE
ONLY GENUINE SPARES IF IN ANY CASE IT'S REQUIRED**

Customer Copy

Product..... Model..... Serial No.....

Customer Name

Address.....

Area..... City.....

State..... Pin Code.....

Telephone No. - Residence.....

Mobile.....

E-mail.....

Dealer's Name.....

Invoice No. & Date..... Price.....

Machine Delivered on..... Machine Installed On.....



Trusted by millions

Dear Customer,

We welcome you to the proud IFB owners'club.

You have just purchased one of the products of our wide range. We thank & congratulate you for your choice, expressing trust in IFB. We are convinced that, as time goes by, you will agree your trust was motivated. The rigour quality standard we have set for our complete range of the products from hobs/Chimneys/built in ovens/Cooking Ranges/Washing machines/Cloth Dryers/Dishwashers to Microwaves ovens for Domestic use & Industrial Dishwashers & Launderette for commercial use at Hotels, Restaurants, Canteens& even for Housing Complexes. IFB is a trusted brand, known for user friendly & convenient products, designed to combine technology and simplicity beside Great Looks & Unbeatable Performance.

With IFB Hob you would enjoy every day , to make delicious food for your family without any hassle if beside the hob you use IFB chimney also because it will keep you as fresh as before the cooking, because IFB chimneys quickly absorbs the smoke and vapors generated by typical Indian cooking.

General Information

Please read carefully.

This information is provided in the interests of your Safety. Please read carefully & ensure that you understand these before installing or using the appliance. Your safety is of paramount importance.

Very important : - Keep the Instruction manual with the hob. In case you pass it on to someone else, brief him/her about the product & request them to read before use. The company disclaims all liability for any damage or/and injury caused to human or animal as a result of not following the Instructions for installation & uses contained in the text.

Installation & position

The installation must be carried out by qualified & competent person authorized by IFB or by the person with the thorough knowledge of the parameters in conformity to the rules concerning the Gas Safety Regulations, Standards & rules if any as of now or in future. Company disclaims all liability for any damage or injury caused to person property third party, animals & what so ever it may be & as a result of not following the Instructions for installation contained in the text.

Customer Response

1. The Installation Person was courteous & helpful Yes No

2. I would describe my experience with Installation as

Unacceptable Satisfactory Non satisfactory Very satisfactory

Note: - Installation work is done on chargeable basis & on the customer risk

Scope of Work: - Company will only install the product, fix the pipe and cut the duct cover.

Installation Material like pipe, elbows, clamps & masonry work/wood work /glass cutting/granite cutting will be carried by customer at his cost & risk.

I certify that the above information and check has been done to my satisfaction & I am fully satisfied with installation of the product.

Installation Report

Product. Model. SerialNo.

Customer Name.

Address.

Area. City.

State. Pin Code.

Telephone No. - Residence. Mobile.

E-mail.

Dealer's Name.

Invoice No. & Date. Price.

Machine Delivered on. Machine Installed On.

Check Points-

- | | | |
|--|-----|----|
| 1. Any major transit damage to the machine observed | Yes | No |
| 2. Power point with MCB or other Automatic Short Circuit Device | Yes | No |
| a. Condition of Earthing/ Plug/Power Point(230V AC 6/16 Amp Depending on model. | Yes | No |
| b. If poor/faulty or not available, Customer has been advised to correct the same. | Yes | No |
| 3. User manual | Yes | No |
| 4. Warranty term explained | Yes | No |
| 5. Basic use demo. | Yes | No |
| 6. Trouble shooting explained | Yes | No |
| 7. Do's & Don't explained. | Yes | No |
| 8. Procedure to clean/ filters/outer body/ Surface/burners/spark plugs/knobs | Yes | No |
| 9. Status of Indicator LED (if applicable) | Yes | No |
| 10. How to use Flame failure device if applicable | Yes | No |
| 11. Status of gas supply tube/ pipe/ regulator. If not suitable or poor/ cracked/ advice the customer to correct the same. | Yes | No |

Installed By Signature.

Receipt/bill no. for Installation Charges.

Cutting Dimensions

Hob Model	Dimensions L*W*H (mm)	Cutting Dimensions L*W*H (mm)
GAS HOB-60-GCI3B	600*520*130	555*475*60
GAS HOB-60-04-GCI4B	600*520*130	555*475*60
GAS HOB-FB-60-01-GCI4B-FFD	600*520*130	555*475*60
GAS HOB-78-GCI3B	780*520*130	685*475*60
GAS HOB-90-GCI5B	900*520*130	820*475*60
78-GCI4B-3D-FFD	780*520*138	685*475*60

1)Cut the aperture to the dimensions shown above & shown in fig (1-2)

2)Invert the hob; apply sealing agent or sealing strip if provided with the appliances & fix in position via clamps & screws. Must tight the screw evenly.

Fig1:

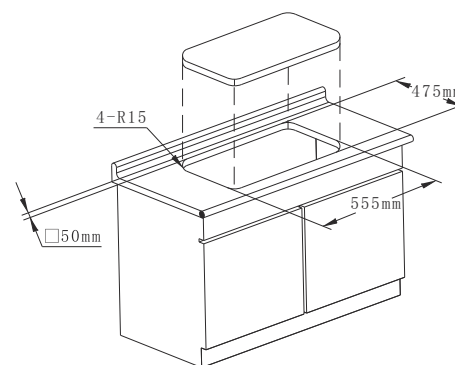
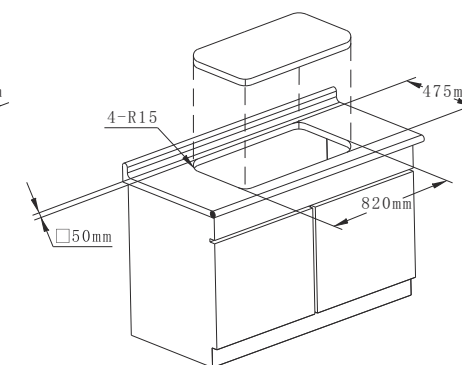
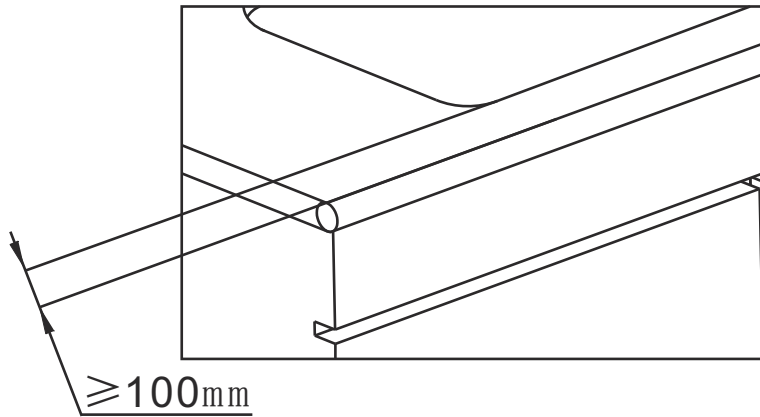


Fig2:



If the hob is coupled with an oven, there must be a separation section



- When in use, a cooking appliance produces heat, moisture & products of combustion at the installation site. Ensure that it is installed in place where there is a continuous air supply, keep air vent in good condition or install a Chimney.
- The ventilation opening must have an effective cross-sectional of at least 100cm^2 and must be protected against accidental blocking. For the appliances without the safety valve on the hob, the opening section must be double i.e. 200cm^2 .
- Avoid installing the appliance near in-flammable materials (e.g. Curtains, Clothes)
- In case, Electric chimney is installed in kitchen, for optimum efficiency & safety, ensure that the gap between the Hob grid and the chimney should be between 650mm to 750mm.
- Once the installation is done check the gas pipe is not pinched or damaged & should be fixed such that the appliance is not stressed in any way.

IFB Resave the right to change the manual any time, company declines any responsibility due to printing /Spelling/ Grammatical error. Any charges mentioned for service or warranty charges or any other charges if mention subject to change without prior notice. All taxes levies extra – as per Central Govt /state Govt/ Municipal bodies/Cantonment board/ Panchayat or any other body approved by any Govt what so it may be today or in the future

NOTE:

All the Appliances mention above on the page Number one including the Gas Hob/ Gas stove runs on highly inflammable fuel(LPG/CNG) & electivity or with both together, cooker Hood / Chimney also runs along with highly inflammable fuel appliances, so these appliances are not intended for use by persons (including children) with reduced physical, sensory or mental capabilities or person with lack of experience and knowledge, unless they have been given supervision by a person responsible for their safety.

- The company & its Authorized Service Franchisee & agent undertakes no liability across all product categories in the matter of consequential loss and / or damages caused to the customer or third party/pet animal/ any type of Property moveable/im-movable what is so ever it may be due to failure / malfunction of the any products. Obligation under this warranty shall be limited to repairing or replacing the defective part as per warranty terms .
- In case of no authorized service centre available in the area/ or in case service is to be provided beyond municipal/city limits, then services would be provided from the nearest authorized service area, a fixed charge would be applied (subject to distance are minimum Rs.350/-) in addition to the actual to & fro charges along with local conveyance by the shortest route. However, in order to avail the services, the products could also be brought at the nearest authorized service centre by the customer at their own expenses and risk/ damage.
- In case of change of city/ town from the original place of purchase at any given point of time, then the product would attract a warranty transfer cost of Rs. 350/- (The money needs to be paid to the local authorized service franchisee). This does not include the cost of re-installation charges . However, if the product is being shifted within the municipal limit of the city then warranty transfer charges will not be applicable.
- This appliance is designed for domestic use by individuals at home only.
- These are the only warranty terms and conditions given by the company for the respective appliances.
- The decision of IFB with regards to the settlement of all claims under this warranty shall be final. Any disputes subject to Calcutta court and or / other judicial/ or quasi judicial forums having jurisdiction over the registered office of the Company.

Company Decline any responsibility due to any printing error

Product	Model	*Warranty period
Built –in-Hob	All models except Brass Bumer	*1 year
Built –in-Hob	Brass Bumer Series	*5 year

*Please ref the Details warranty terms & condition (Wty- Mean Warranty)

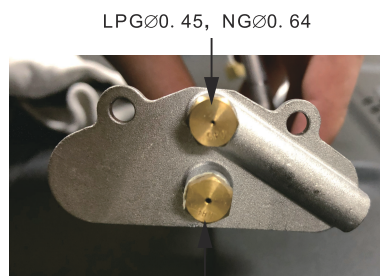
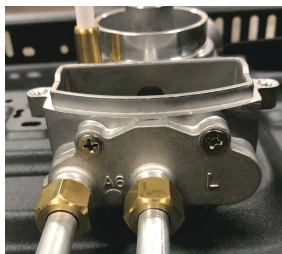
- If any gaskets are supplied with appliances for gas supply pipe or union it must be fixed properly. When these parts or pipe is disassembled and reassembled, always replace the gasket with new one.
- An indirect flow of the air from room/rooms next to installation site, as long as these room/rooms is/are directly ventilated or have direct ventilation. Thus, avoiding risk of fire.
- Installation room/site & adjacent room must have free flow of air through permanent opening.
- Installation site / room / kitchen must have a system like electric exhaust fan or Chimney to remove the combustion products.
- **Important: -After installation check that joints are leak tight using a soap based solution & not a flame.**

GAS CONNECTION

- This appliance must be connected to the gas supply of the cylinder in accordance of the standards in force and operated with Gas specified on the bottom/ Any Side of the appliances or/and on the packaging.
- This appliance can be connected to gas cylinder or system via rigid metal pipe (steel or copper) or continuous wall stainless steel flexible or Rubber hose, however it is advisable to use the gas supply pipe recommended by the Gas Supply Company.
- For safe operation make sure that the supply pressure respects the values given in the table mentioning burner & injector specifications.
- If the appliance is supplied or used with cylinder, not supplied by authorized gas company make sure that the cylinder pressure conforms to the local regulations in force.
- Its advisable to use the regulator supplied by authorized Gas Company.

➤ This appliance as supplied is for use with LPG, if it is to be adjusted for CNG proceed as follow:

- Isolate the appliance from the gas supply & electricity.
- Remove the pan supports and burner assemblies.
- Replace the injectors (Jets) with alternative CNG injectors.
- Use the appropriate thread sealant.
- Check for gas leakage before adjusting the gas supply.



LPG \varnothing 0.45, NG \varnothing 0.64

LPG \varnothing 0.84, NG \varnothing 1.20



045 means the diameter of Nozzel: \varnothing 0.45mm



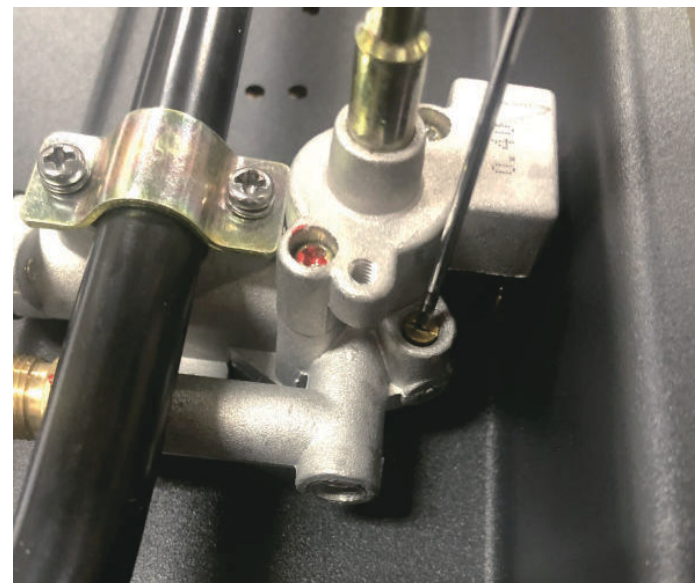
Refer to the Nozzle Change Instruction

- Use of the Products for commercial purposes or at places like institutions, hospitals, community halls, hotels, canteens, cafeteria's and other similar applications or subjecting the Product or Accessory to abnormal usage or conditions or not cover in the warranty .
- Damage due to Attack of pests / rodents / birds making nests in the duct pipe or other acts are not cover under the warranty.
- Accidents caused due to non maintenance of the product are not cover under this warranty Fire in cooker hood(Chimney) due to any reason what so ever it may be & non cleaning of filters / oil cup in case its fitted, or due to negligence (Example In case, Oil, Ghee & Fat is continue heating without uses & unattended may catch the fire, fire can further engulf /spared to cabinetry, Chimney. It's not cover in the warranty. No claim in this regards what so ever it may be accepted it out rightly rejected.
- Accidents resulting from improper/ incorrect installation
- Charcoal filters directly exposed to flame of cook top / hob.
- Consumer using any kitchen utensils/ cooking appliances /aids which cover the burners and touch the glass surface directly of the Glass Built in Hob /Cook Tops , any damage due the same are excluded from coverage.
- Fire & Damage what so ever it may be due to none removing of the protective PVC or any other type/material film, protective sheet or bag is not cover in the warranty it's excluded from the coverage.
- Non performance and/or any accident due to wrong installation, none maintaining the gap between base of kitchen hood and upper most part of Cook top/ built in Hob. For the wall mounting models its 65cm-75cm & 50Cm -55CM in side wall mounted models & maximum 76 cm in case of Centre Island model.
- Carcass dimensions not as per specifications of the product in case built in appliances. Carcass for Built-in Oven / Built-in Microwave Oven is not ventilated from rear side or is not installed as built In.
- The company & its Authorized Service network & agent undertakes no liability in the matter of consequential loss and / or damages caused to the customer or third party/ pet animal/ any type of Property moveable/im- movable what so ever it may be due to failure/malfunction/fire of the product by use of High pressure Gas Regulator/ higher pressure due to malfunction of the Regulator on bottle Gas, High pressure Pipe Gas supply or use the wrong Gas (Product is suitable to use with LPG & CNG only) & the moisture dust/ moisture in the Gas supply is not covered in the warranty.
- Motor & other related part like Fan Electronic spares will not cover in the warranty in case customer do not regularly use the heat clean function & clean the oil cup. (Depending on the usage pattern- like family size, cooking & eating habits etc.) In the models having the heat clean function in Chimney/Cooker hood.
- In case warranty period is more than a year after the period of one year, visit/repair charge would be levied as and when the customer calls. However, the spare parts would still be covered under warranty and would not attract any charges through out the warranty period of the respective product as per warranty terms.
- Any routine maintenance / cleaning / servicing visit would not be covered under this warranty, and would be provided on chargeable basis as per prevailing rates / charges.
- Whether defective components are to be replaced / repaired shall be left to the sole discretion of the company. In case of replacement of a part, the defective part removed from the product becomes the property of IFB Industries Ltd.

- Company is not liable for any delay in servicing due to the reason that it is beyond the control of the company or any of its authorized service network.
- This warranty does not cover defects resulting from the accidents or damage while in transit or to our Service Centre.
- This warranty does not cover for consumables in all the product categories for example bulbs. (Any kind/ Type of Charcoal Filter, Metal Filters, Net Filter or any other material filter ,may be called by other name however used for the purpose of filtration) Spark Plugs any kind of pipe made of any material if supply with Cooker hood or other products categories.
- All glass &. Glass fitment parts, knobs, outer body/ body parts including the, Duct cover & any type of painting, plating/ denting enameling including rusting etc.or defects thereof is not cover in the warranty across all product categories.
- Peeling off, De-coloration, losing it original texture/shine of any type of black paint/ any type of coating & enameling (Across all product categories-if any painted/enamelled part is used) on the Brass Burners Assembly set or any other material burners Assembly sets are not covered under warranty.
- Discoloration of the Brass Burners or any other material Burners due to oxidation process will not cover under the warranty.
- Denting, Deformation of the Brass burners sets any other material also not cover in the warranty
- If Hob is fitted with FFD (Flame Failure Device) in case there is issue with Gas Supply like if dust & moisture is trace in that case warranty would not be applicable. In that case company would advice to customer to bypass the Flame failure device use the product as a normal Hob/cook top without Flame failure Device.
- Failure due to use of High pressure Gas Regulator/ higher pressure of gas supply due to malfunction of the Regulator on bottle Gas, High pressure Pipe Line Gas supply or use the wrong Gas (Product is suitable to use with LPG & CNG only. (Default setting is LPG in case of CNG gas Injector need to be changed & may require adjustment on Gas valve also).moisture dust/ moisture in the Gas supply is not covered in the warrantee in that case repair will be done on the chargeable basis for Spares & Service,
- Breakage of Glass due to using any kitchen utensils/ cooking appliances /aids (e.g. Bati Cooker, Kaladu, Gas Tandoor, Gas Oven, Paniyarrakal Maker etc.) which cover the burners and touch the glass surface directly on the Glass of Built in Hob /Cook tops, are excluded from warranty coverage. however glass is not cover in the warranty due to any reason.
- Improper uses/ storage, misuse or abuse, accident or neglect, such as physical damage (cracks, scratches, rust breakage of glass etc.) To the surface of the product resulting from misuse/storage is not cover under the wty.
- Damage non performance due to connecting the kitchen hood duct that is used for Exhausting fumes of other appliance / gadgets.
- Contact with liquid, water, rain, extreme humidity or exposure to acidic atmosphere, sand, dirt or the like, extreme heat, or food.

Minimum Gas Supply

- *Remove Burners & grids from the Hob & remove the Glass (Varies model to model)
 - Ignite the burner and turn town to the minimum setting.
 - Remove the control knob from the gas tap
 - Adjust the flow either clock wise to decrease or anti clock wise to increase the flame, Use a Screwdriver inserted down the gas tap rod.
 - Check for gas leakage before adjusting the gas supply.
- Note: - In case of gas leakage turn off the main gas regulator & call the qualified person or Call IFB Service Centre.
- Same should be carried out by Qualified Technician or representative of Gas supply company alternatively same could be done by IFB on very reasonable charges basis.



Burner and Nozzle (Jet) Characteristic Table

GAS TYPE			LPG		NG	
NOMIAL GAS PRESSURE						
BURNER	Min.Flow (kw)	Max.Flow (kw)	Injector mm		Injector mm	
Triple Ring Burner (125)	0.4kw	3.8kw	Up	∅0.45	Up	∅0.64
			Down	∅0.84	Down	∅1.20
Mini Triple Ring Burner (100)	1.31kw	2.5kw	∅0.79		∅1.17	
Dual Ring Burner (90)	1.20kw	2.2kw	∅0.74		∅1.11	
Mini Dual Ring Burner (70)	0.55kw	1.5kw	∅0.63		∅0.90	
Single Ring (55)	0.43kw	1.0kw	∅0.52		∅0.74	
3D BURNER	Min.Flow (kw)	Max.Flow (kw)	Injector mm		Injector mm	
Triple Ring Burner (125)	0.4kw	3.5kw	Up	∅0.45	Up	∅0.64
			Down	∅0.80	Down	∅1.20
Mini Triple Ring Burner (100)	1.31kw	2.5kw	∅0.74		∅1.17	
Mini Dual Ring Burner (70)	0.55kw	1.5kw	∅0.59		∅0.90	

CLEANING

- It's recommended to use a damp cloth/slightly damp sponge/mild house hold cleaner/any special Cleaner meant for cleaning the chimney & hob/cook top & dry them with a soft cloth, if too much water is used it could penetrate into the internal part and could damage the electrical parts.
- Never use thinner or products containing alcohol as they might damage the art work.
- Never use abrasive cleaning materials on painted & stainless steel surface.
- Glass hob can be cleaned with Luke warm water. Never splash the water on the Hob.
- To prevent the igniting difficulties, carefully clean the spark plug regularly (Ceramic&Electrode).
- In case Hob/Cook top is fitted with Flame Failure Device its must be kept clean, for the effective function, if it's not clean then it may not work

Valid for /Built in Hobs/Hybrid Hob

IFB Industries Ltd. ("The Company") warrants to the original domestic purchaser of the above mentioned Products ("Appliances") that it is free from defect in workmanship and materials. During the warranty period as mentioned below the new machine, all the parts of the machine excluding the consumable components listed in the Limitations of Warranty shall be replaced/ repaired free of charge on intimation to the company/ company authorized service centre nearest to the place where the appliance is installed.

The warranty period for all the above mentioned products vary from products wise & model wise, please ref the table at end of the warranty terms for exact period of the each product category/models, Manufacturing defects will be rectified free of cost during the said period. However normal applicable repairing cum visiting charge would be applicable after one year in case warranty period is more than one year this warranty is subject to Limitations of Warranty.

Limitations of the Warranty

- The warranty becomes null and void in following cases:
- If the warranty card is not fully and properly filled in and signed at the time of purchase/ installation by the company's authorized Dealer/ Service Engineer. Original Bill/ Invoice are mandatory to avail the warranty.
- If the completed warranty card is not presented to the authorized IFB personnel at the time of repair.
- This warranty extends only to the first consumer purchaser, and is not transferable.
- Service / Repairing or use of non-genuine Spares / Modification carried out by person other than those authorized by IFB.
- Failure/damage due to user's negligence towards minor maintenance such as cleaning of Filters, burners/Spark plug or not used in accordance with instructions given in the instructions manual for various products category mentioned above.
- If the Appliance /Components Serial No. Sticker/Plate is removed/ missing/ altered /tampered.
- Appliances taken out of India.
- Damages occurred due to improper electric circuits outside the Appliance & failure due to erratic power supply.
- Failure/damage done to the appliance due to operation/uses in an abnormally corrosive Alkaline/ Acidic atmosphere, and or use of harmful chemicals.
- If defects/damage arise with optional accessories like Extended Power Supply Cable/Frame etc thereof.
- Failure/damage due to misuse/negligence/accidents/abuse, action of pests/rodents, fire, flood, earthquake, lightning or any other act of nature/natural calamities & damages traceable to alteration or unauthorized repairs.
- Parts replaced or repaired under this warranty are warranted throughout the remaining of the original warranty period only.

TECHNICAL DATA

Electrical Details

Rated voltage	220-240V AC 50-60Hz
Supply Connection	3×1, 5 Main Cable
Power Input	0,6 V A per Millisecond
Main supply lead	Indian Plug

Gas Supply

Connection	½ Inch thread male elbow/conector
Type	LPG

IMPORTANT

If you will follow the recommendations/instructions contained in this instruction manual, your appliance will give constant high performance and will remain efficient for many years to come.

The IFB Does not guarantee for possible inexactitudes due to printer or transcription Contained in this booklet & reserves the right to change any Specifications which is necessary or useful without Prior notice.

PRECAUTIONS /WARNING DO's & DON'T

- Don't touch the surface during the use & after use for atleast 30-45 Minutes , as some heat is retained after the operation (will depends on the uses time).
- Make sure that pan handles are always positioned correctly to avoid accidental contact.
- Make sure electrical fitting or cables should not be in contact with the hot area of the appliance.
- Connect the Hob to the mains using a double pole switch, with proper Earthing & corresponding to the rated voltage of the hob.
- This appliance is not intended for use by persons (including Children) with reduced physical , sensory or mental capabilities or lack of experience & knowledge, unless they have been given supervision by a person responsible for their safety.
- Do not leave (unattended) naked flames or flambé cooking under cooker hood (Chimney).
- When using the gas hob/Cook Top with in connection with chimney never leave the burners of the hob/cook top uncovered while the chimney is in use or pans have been removed from the burners (switch off the burners before removing the pans). Special care to be given while frying, never leave the frying pan unattended as overheated oil may (burst into the flame) catches wire.
- Adjust the flame intensity to direct it onto the bottom of the pan only, thus ensuring that it does not engulf the sides. This will not only save the (Gas Consumption) energy, But is also important for your own safety.
- If a burner is turned off accidentally turn off the control knob & open all the window, don't try to switch on any electrical switch and try to light it again after waiting for at least a minute.

Using the Hob

- The symbols on the Control Panel face show which burner the Control knob operates.
- To regulate the flame, continue turning anti-clockwise to required setting between the large and small flame symbols.
- To turn the burner off, turn knob clockwise completely.

Auto Ignition

- After pressing in and turning the appropriate knob anti-clockwise to the large flame symbol, the ignition spark will operate as long as the knob is pressed down. When a flame has been established the knob can be released.
- Its not necessary that Hob will ignited with single turn, it depends on the user. If the knob is not pressed then it may Not ignite, one can be habitual with working after few uses.
- In case Ceramic electrode is not clean or loose then also it may not ignite or ignite with multiple attempts

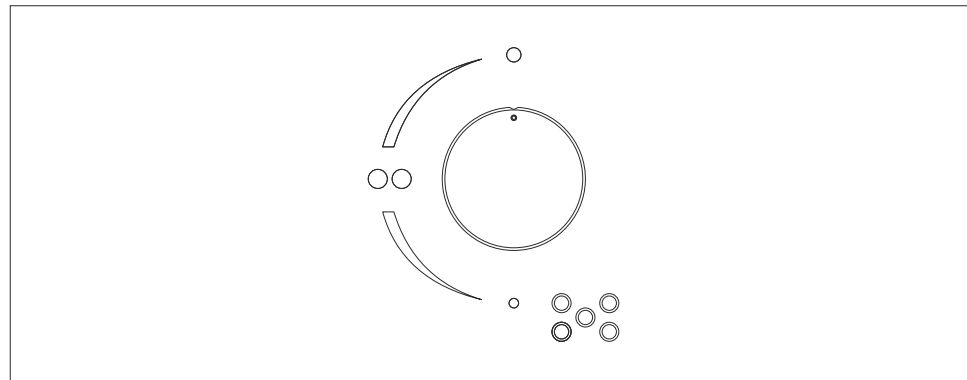
Manual Ignition

- In case of No electric supply or not connected with Electric supply , Hob can be ignited with Match stick or with lighter

Note (Thermocouple Device)

- If the appliance is incorporated with a thermocouple safety device. It is necessary to continuously press the knob for the period of minimum 10 seconds after the flame has been established to enable the thermocouple to function.
- The Safety Device is designed to stop the flow of gas in the head in the event of a flame out situation.

In Case if the Knob is not kept pressed for 10 Second flame will go off after ignition



CONTAINER TABLE

Burner	Minimum Saucepan Size (mm)	Maximum Saucepan Size (mm)
3.8kw	Ø240	Ø260
2.5kw	Ø190	Ø220
2.2kw	Ø170	Ø200
1.5kw	Ø150	Ø180
1.0kw	Ø60	Ø120

- Use flat bottom utensils only
- Always use the correct size of pan or slightly larger than the flame ring, the flame should never exceed the diameter of the pan. For lower gas consumption use the suitable pan size according to the burner. As soon as a liquid start boiling turn the flame to a level sufficient to maintain boiling.
- When using fat or oil, be careful because they get overheat very soon & could catch fire.